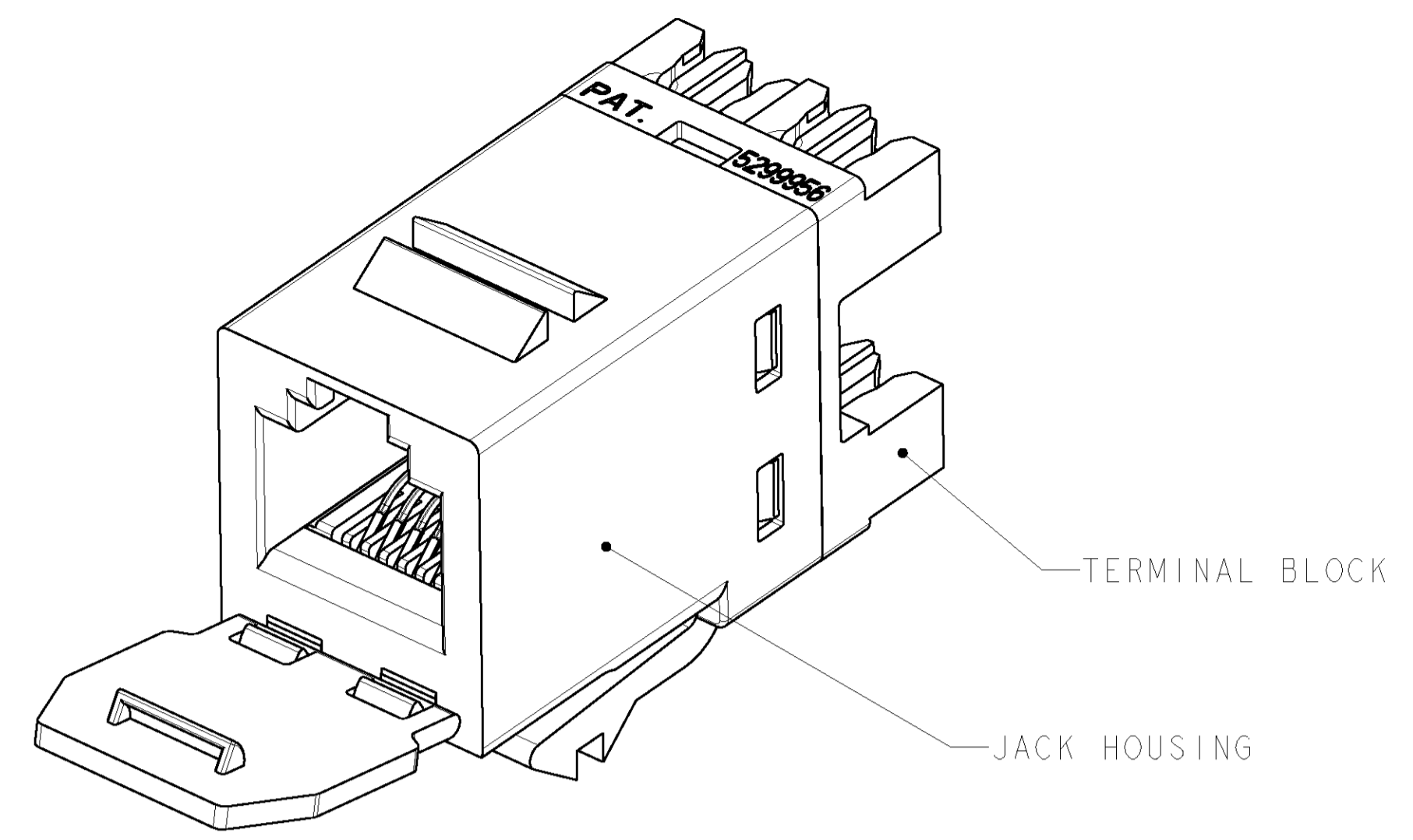
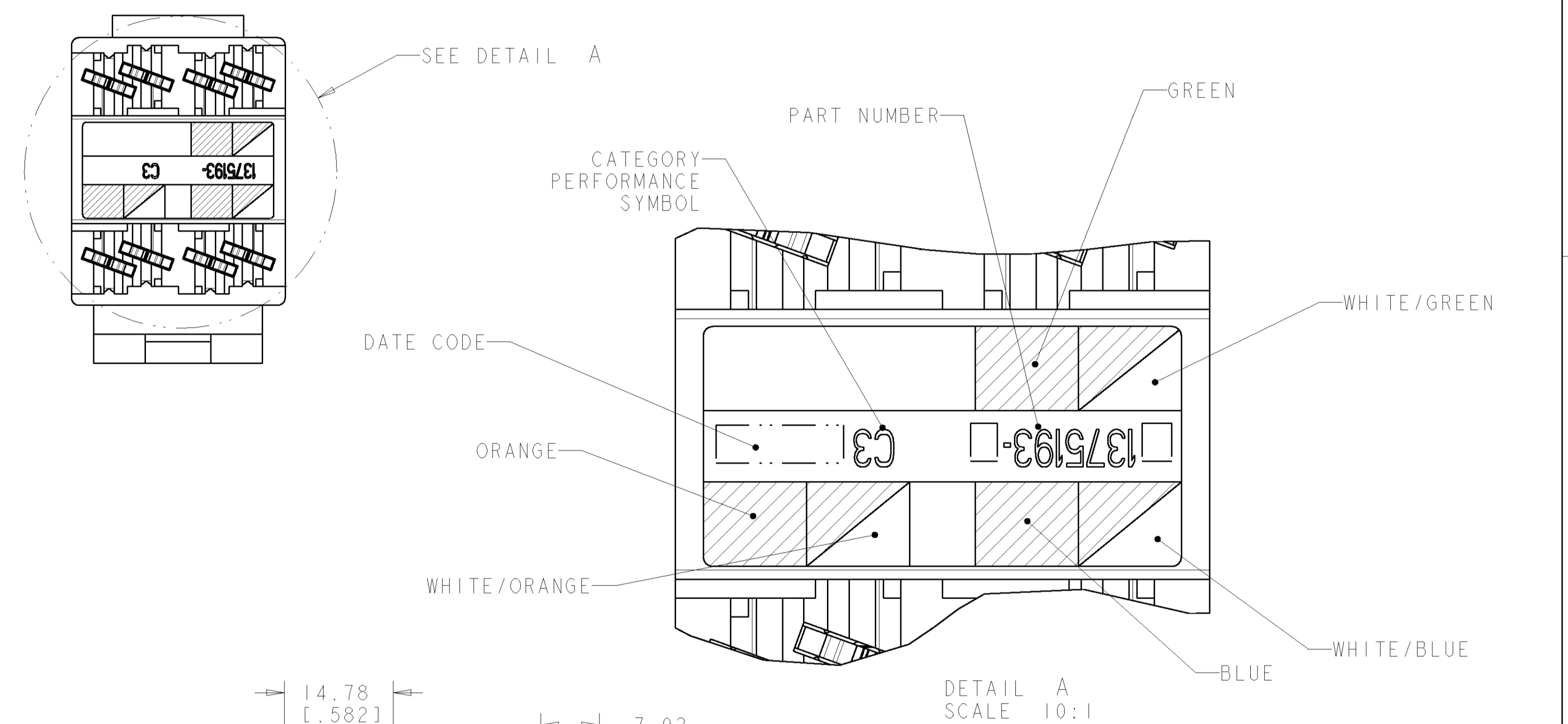
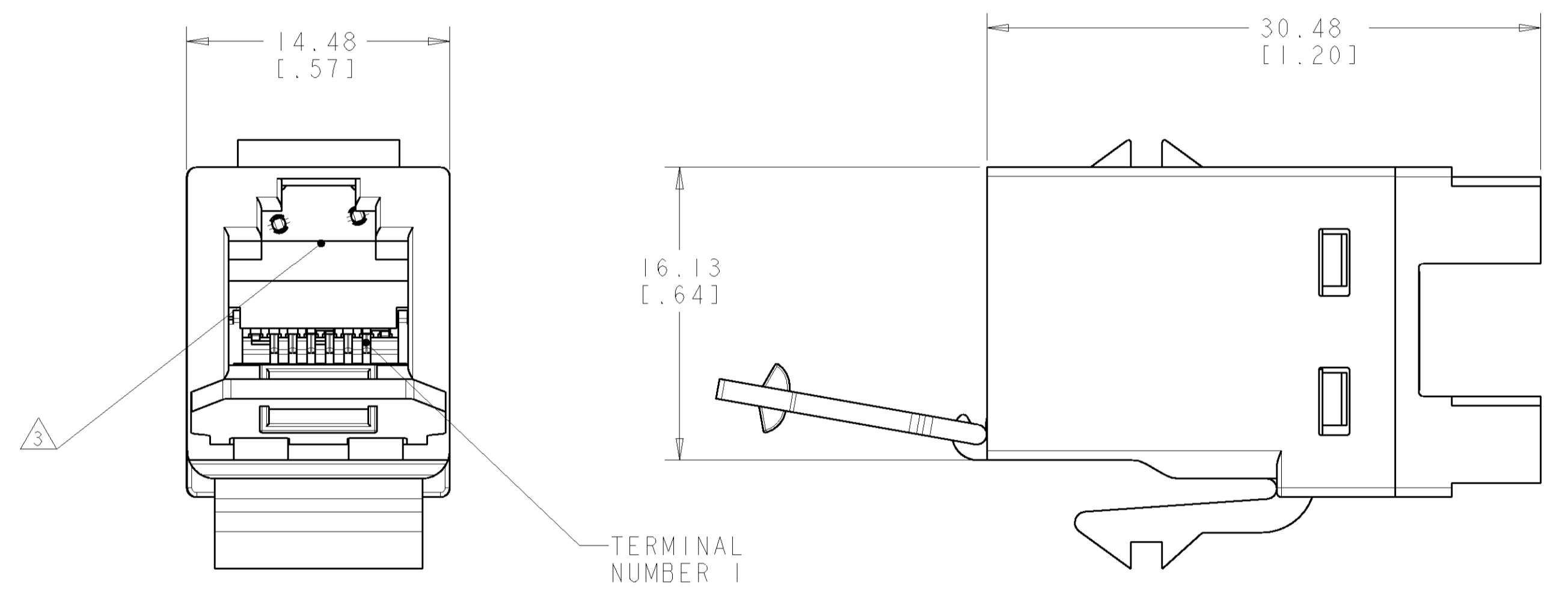


| LOC |     | DIST               |           | REVISIONS |      |  |  |
|-----|-----|--------------------|-----------|-----------|------|--|--|
| P   | LT# | DESCRIPTION        | DATE      | BY        | APPD |  |  |
| E   |     | REV: ECO-07-015835 | 13JUL2007 | GG        | SA   |  |  |

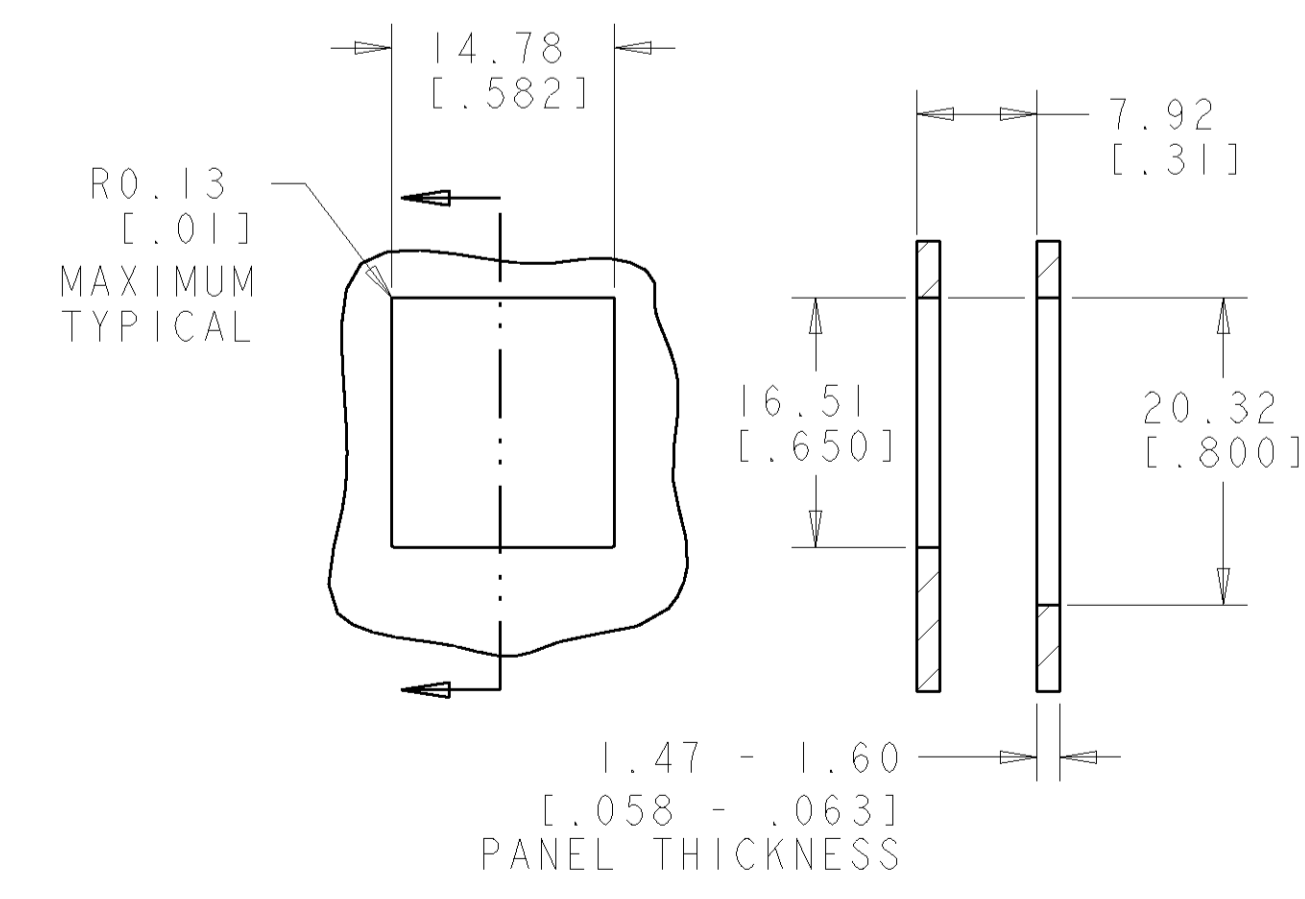
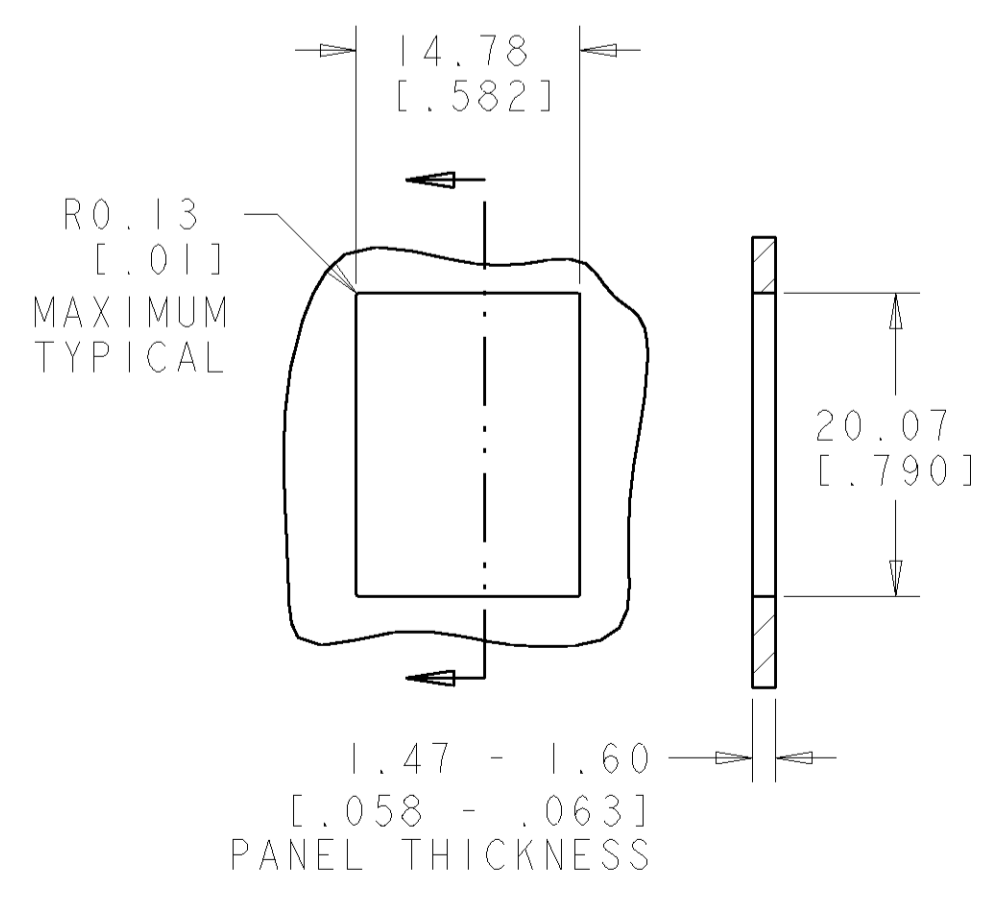


1. MATERIAL: JACK HOUSING - POLYPHENYLENE OXIDE, 94V-0 RATED. 110 BLOCK - POLYCARBONATE. ARRAY TRAY - PBT POLYESTER. JACK CONTACTS ARRAY - BERYLLIUM COPPER, PLATED WITH 1.27µm [.000050] MINIMUM THICK GOLD IN LOCALIZED AREA AND 3.81µm [.000150] MINIMUM THICK MATTE TIN IN SOLDER AREA OVER 1.27µm [.000050] MINIMUM THICK NICKEL UNDERPLATE. IDC TERMINALS - PHOSPHOROUS BRONZE, PLATED WITH 3.81µm [.00015] MINIMUM THICK MATTE TIN OVER 1.27µm [.00005] MINIMUM THICK NICKEL UNDERPLATE.
2. SL 110 JACK WILL TERMINATE 22-24 AWG SOLID AND 24-26 AWG STRANDED CONDUCTORS, 1.27[.050] MAXIMUM INSULATION DIAMETER.
3. CAVITY CONFORMS TO FCC RULES AND REGULATIONS PART 68 SUBPART F REQUIREMENTS.
4. MOUNTING PANEL THICKNESS 1.47 - 1.60 [.058 - .063].
5. THESE TWO SUGGESTED CUTOUT OPENINGS ARE USED IN TANDEM WITH DUAL FRONT AND BACK CUTOUTS.
6. ONE MODULAR JACK ASSEMBLY PER POLYBAG.
7. REFER TO 408-8858 FOR TERMINATION INSTRUCTIONS USING SL SERIES TOOL TERMINATION. REFER TO 408-8602 FOR TERMINATION INSTRUCTIONS USING 110 PUNCH DOWN TOOL.



| COLOR CODE   | 110 BLOCK | MODULAR JACK |
|--------------|-----------|--------------|
| WHITE/BLUE   |           | 4            |
| BLUE         |           | 3            |
| WHITE/ORANGE |           | 2            |
| ORANGE       |           | 5            |
| WHITE/GREEN  |           | 1            |
| GREEN        |           | 6            |
| WHITE/BROWN  |           |              |
| BROWN        |           |              |

ELECTRICAL SCHEMATIC (USOC)



| PACKAGE | HOUSING COLOR  | PART NUMBER |
|---------|----------------|-------------|
|         | ELECTRIC IVORY | 1-1375193-1 |
|         | VIOLET         | 1-1375193-0 |
|         | GREEN          | 1375193-9   |
|         | YELLOW         | 1375193-8   |
|         | RED            | 1375193-7   |
|         | BLUE           | 1375193-6   |
|         | ORANGE         | 1375193-5   |
|         | NEMA GRAY      | 1375193-4   |
|         | WHITE          | 1375193-3   |
|         | BLACK          | 1375193-2   |
|         | LIGHT ALMOND   | 1375193-1   |

|                         |  |                                        |  |                                                                        |  |                                                      |  |
|-------------------------|--|----------------------------------------|--|------------------------------------------------------------------------|--|------------------------------------------------------|--|
| DIMENSIONS: MM [Inches] |  | TOLERANCES UNLESS OTHERWISE SPECIFIED: |  | DWN T. PITTS 05NOV01<br>ENR L. SMITH 15NOV01<br>APPD C. DOOLEY 15NOV01 |  | <b>Tyco Electronics</b><br>Harrisburg, PA 17105-3608 |  |
| MATERIAL:               |  | FINISH:                                |  | PRODUCT SPEC 108-1990<br>APPLICATION SPEC 108-1990-1                   |  | ASSEMBLY, SL 110 JACK, DUSTCOVER, CATEGORY 3         |  |
| WEIGHT:                 |  | FINISH:                                |  | SIZE: CAGE CODE: DRAWING NO:                                           |  | RESTRICTED TO:                                       |  |
| CUSTOMER DRAWING        |  | SCALE: 4:1                             |  | SHEET 1 OF 1                                                           |  | REV E                                                |  |